

REV. A

AS4703

FEDERAL SUPPLY CLASS  
4730

SAE Technical Standards Board Rules provide that: "This report is published by SAE to advance the state of technical and engineering sciences. The use of this report is entirely voluntary, and its applicability and suitability for any particular use, including any patent infringement arising therefrom, is the sole responsibility of the user." SAE reviews each technical report at least every five years at which time it may be reaffirmed, revised, or cancelled. SAE invites your written comments and suggestions.

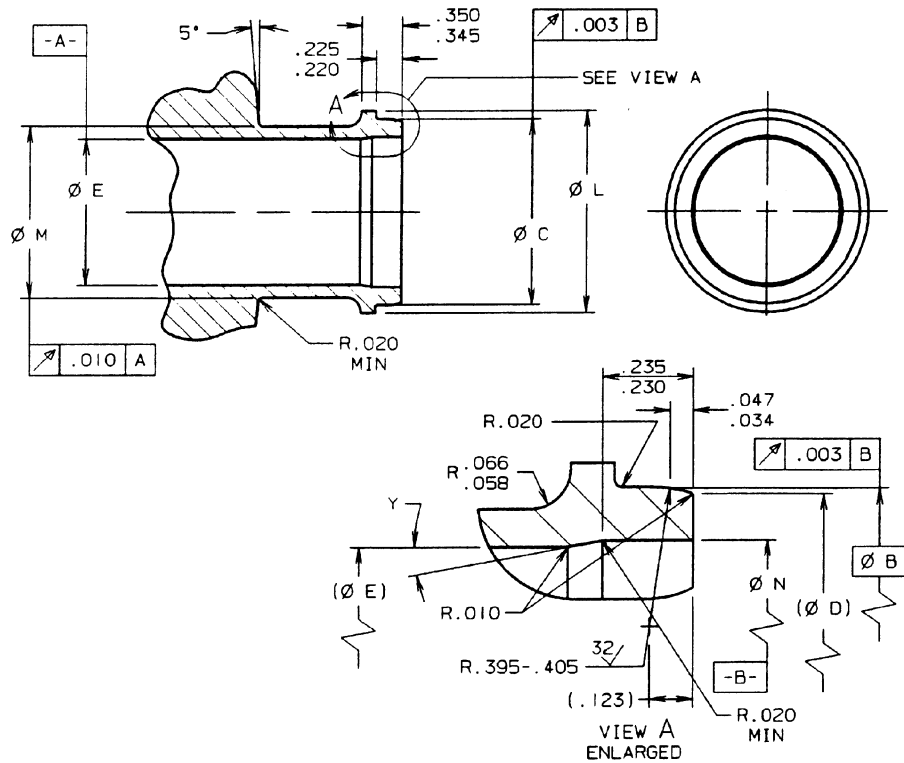


FIGURE 1 - FITTING END, STYLE A RETAINED WIRE NUT DESIGN

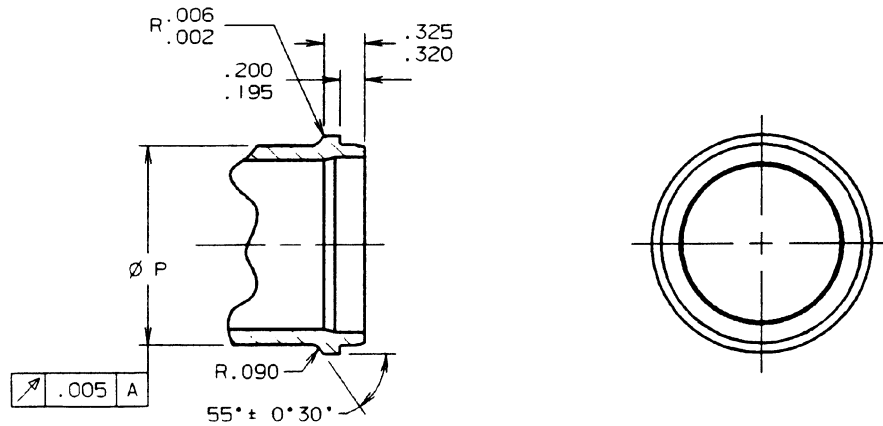
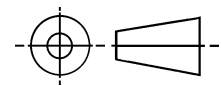


FIGURE 2 - FITTING END, STYLE B  
SAME AS STYLE A, EXCEPT AS SHOWN  
SLIP ON NUT DESIGN

THIRD ANGLE PROJECTION



CUSTODIAN: SAE G-3/G-3B

PROCUREMENT SPECIFICATION: NONE

**SAE Aerospace**  
An SAE International Group

**AEROSPACE STANDARD**

FITTING END, ACORN, SHORT FLARELESS,  
DESIGN STANDARD

**AS4703**  
SHEET 1 OF 2

**REV. A**

Copyright 2004 SAE International

All rights reserved. No part of this publication may be reproduced, stored in a retrieval system or transmitted, in any form or by any means, electronic, mechanical, photocopying, recording, or otherwise, without the prior written permission of SAE.

Copyright SAE International  
Provided by IHS under license with SAE. No reproduction or networking permitted without license from IHS.

ORDER: Tel: 877-606-7323 (inside USA and Canada) Not for Resale Tel: 724-776-4970 (outside USA)  
Fax: 724-776-0790 Email: custsvc@sae.org

SAE WEB ADDRESS: <http://www.sae.org>

ISSUED 1992-04 REVISED 1993-04 REAFFIRMED 2004-07